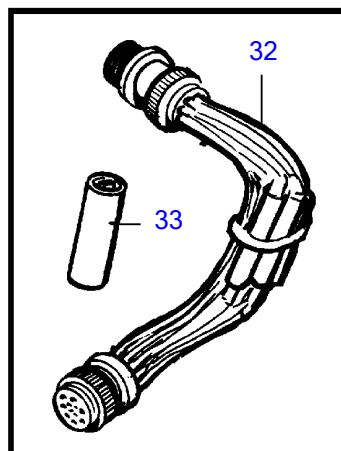
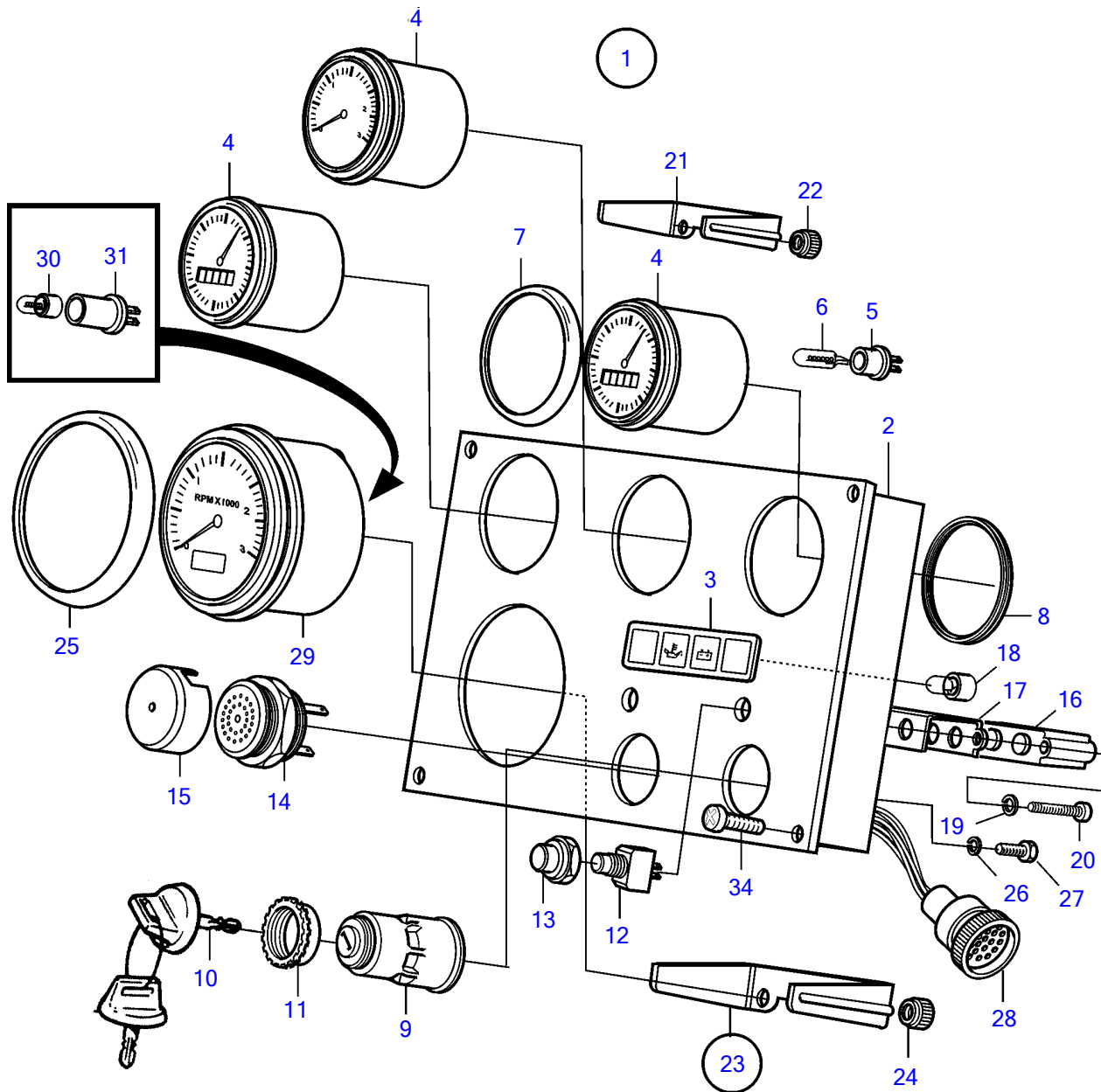


AD31L-A, AD31P-A, AD41L-A, AD41P-A, D41L-A, TAMD31L-A, TAMD31M-A, TAMD31P-A, TAMD31S-A, TAMD41H-A, TAMD41H-B, TAMD41P-A, TAMD41L-A, TAMD41M-A, TMD31L-A, TMD41L-A



23066

AD31L-A, AD31P-A, AD41L-A, AD41P-A, D41L-A, TAMD31L-A, TAMD31M-A, TAMD31P-A, TAMD31S-A, TAMD41H-A, TAMD41H-B, TAMD41P-A, TAMD41L-A, TAMD41M-A, TMD31L-A, TMD41L-A

REF	PART NO.	QTY	DESCRIPTION	SEE SEC.	NOTES
1	3587075	1	Instrument panel		(873591)
2	860182	1	• Instrument panel		
3	858645	1	• Symbol strip		
4	873196	1	• Thermometer		
	873198	1	• Oil pressure gauge		
	873200	1	• Voltmeter		
5	863945	3	• • Lamp socket		
6	863947	3	• • Bulb		
7	858643	3	• Front ring		D=52mm
8	828803	3	• Guide ring		
9	3587072	1	• Starter switch		(864277)
10	859953	2	• • Key		State key code when ordering.
			• Bulletin 49-30	49-30-EN	Key P/N 859953
11	859955	1	• • Plastic nut		
12	828584	1	• Toggle switch		Test alarm
	828585	1	• Toggle switch		Instr. light
13	828586	2	• Nut		
14	828587	1	• Buzzer		
15	858795	1	• Protecting casing		
16	873737	1	• Electronic unit		
17	828784	1	• Reflector		
18	828818	4	• Bulb		24V
19	941904	2	• Spring washer		
20	(941615)	2	• Cross recessed screw		Obsolete part
21	873207	3	• Brace kit		
22		6	• • Nut		
23	873208	1	• Brace kit		
24		2	• • Nut		
25	873517	1	• Ring		D=72mm
26	941904	1	• Spring washer		
27	949947	1	• Cross recessed screw		
28	828646	1	• Cable trunk		
29	873992	1	Tachometer kit		4600 rpm
30	863947	1	• Bulb		24V
31	863945	1	• Lamp socket		
32	873568	1	Diode cable		
33		1	• Diode		(1624394)
34	828647	4	Screw		